

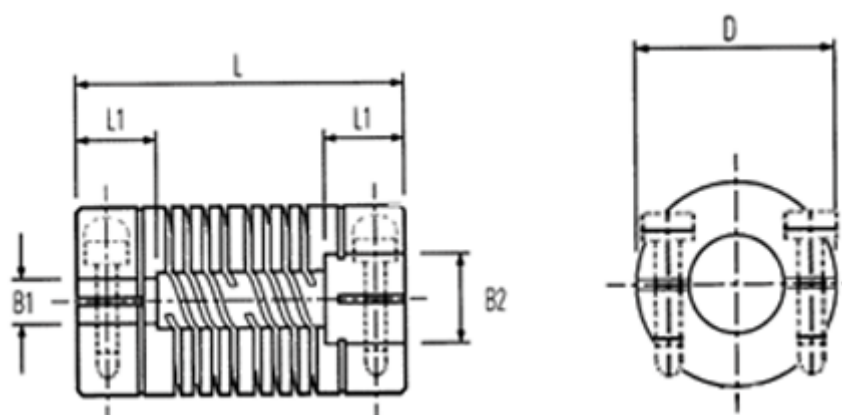
Data Sheet



Article number: 339711320000

Description: Multibeam 6 Coupling 711.32.0000
Acetal & clamp hubs

Measures



B2: Pre-drilled	= 8.0	Max parallel displacement = 7
B2: Pre-drilled	= 10.00	Peak Torque NM = 4.00
Cap screw	= M4	
D	= 31.8	
L	= 57.2	
L1	= 16.0	
Max angular displacement	= 0.50	
Max B1 & B2	= 16.00	